

KEW SAFE LINE SERIES

PRODUCT 2.2: - *VOLTAGE MONITOR RELAYS (SELF POWERED)*



SFL-964D



SFL-964D+

DESCRIPTION

SFL-964D / SFL-964D+ is a **digital DIN rail mount voltage monitoring relay** designed to provide precise protection against **over-voltage, under-voltage, phase loss, and imbalance** conditions in single and three-phase systems. It features a user-friendly auto/manual scroll 3-digit LED display and **TRMS measurement** for accurate real-time monitoring. The device supports a wide operating range (160–300V AC L-N / 260–520V AC L-L) and offers fully programmable trip settings. Built with robust **FR-ABS housing and polycarbonate transparent lens**, it ensures durability in industrial environments. Error codes display all faults clearly, and optional RS-485 MODBUS communication and LOGG MASTER software make it integration-ready. **Two 8A relay** outputs are provided for alarm or direct control.

FEATURES OF Voltage Monitor Relay (SP)

Meter Type	Single Phase & Three Phase Digital Voltage Monitoring Relay
Display Mode	3-digit Red Seven Segment LED, Auto / Manual Scroll (User-selectable)
Protection Functions	Under / Over Voltage, Single Phase Prevention
Accuracy	RMS Measurement for precise voltage detection
Power Supply	Wide Range SMPS Power Supply (Self powered version available)



SPECIFICATION OF Voltage Monitor Relay (SP)

Electrical Characteristics: -

Meter Type	Voltage Monitoring Relay (Single Phase / Three Phase)
Voltage Trip setting	160–300VAC(L-N), 260-520VAC(L-L)
Frequency Trip setting	45 to 65 Hz
VA Burden	Auxiliary Supply: <2.5 VA Voltage Input: <0.2 VA/Phase
Relay Contact	2NOS-8 AMPS, 250VAC POTENTIAL FREE
PARAMETER (Voltage)	<ul style="list-style-type: none"> - RY (Phase-Phase) - YB (Phase-Phase) - BR (Phase-Phase) - Average (Phase-Phase) - RN (Phase-Neutral) - YN (Phase-Neutral) - BN (Phase-Neutral) - Average (Phase-Neutral)

Environmental Characteristics: -

Operating Temperature	0°C to 50°C
Storage Temperature	-10°C to 60°C

Mechanical Characteristics: -

Mounting Type	Panel Mount
Panel Dimensions	95x35, Depth (Behind Bezel)-65

Display Characteristics

Display Type	1 Rows of 3 Digit Red Seven Segment
Indications	Error Code Display, Fault LED Indicators

APPLICATIONS OF Voltage Monitor Relay (SP)

Motor Control Panels



Building Management Systems (BMS)



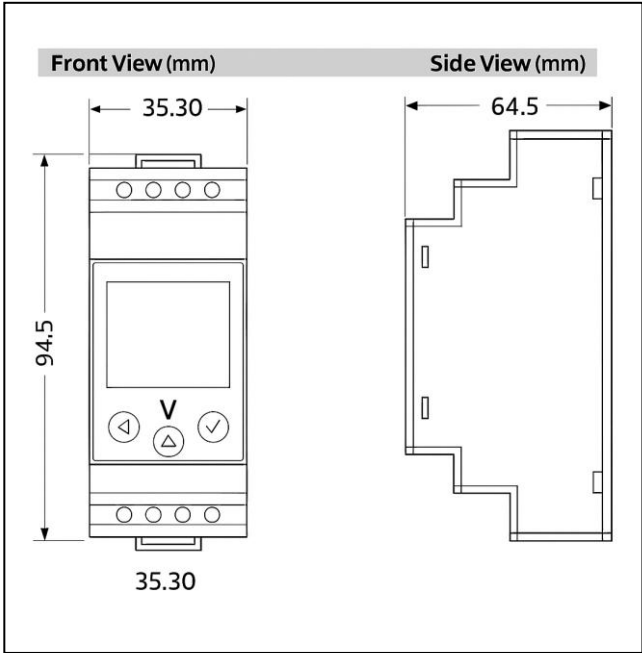
OEM Electrical Panels



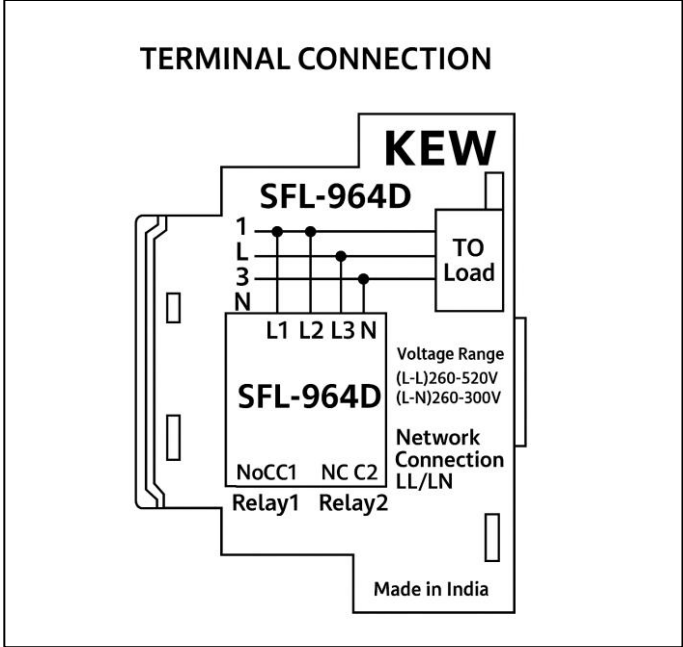
Commercial Sub-Metering / Retail Malls



Panel CutOut



Terminal Connection



Ordering information:

<u>MODEL</u>	<u>Display & Protection</u>	<u>ACCURACY CLASS</u>	<u>AUX SUPPLY</u>
SFL-964D LED DISPLAY (3PHASE/1PHASE)	VOLTAGE (L-L & LN) UNDER-OVER SPP VOLTAGE IMBALLANCE	1.0 0.5	200-600V AC(L-L) 45-270V AC/DC(L-N) 19-60V AC/DC SELF POWERED
SFL-964D+ LED DISPLAY (3PHASE/1PHASE)	VOLTAGE (L-L & LN) UNDER-OVER SPP VOLTAGE IMBALLANCE	1.0 0.5	200-600V AC(L-L) 45-270V AC/DC(L-N) 19-60V AC/DC SELF POWERED

*WHILE ORDERING PLEASE MENTION RANGE, CLASS & AUX SUPPLY & FOR BULK CUSTOMIZED INQUIRIES

